



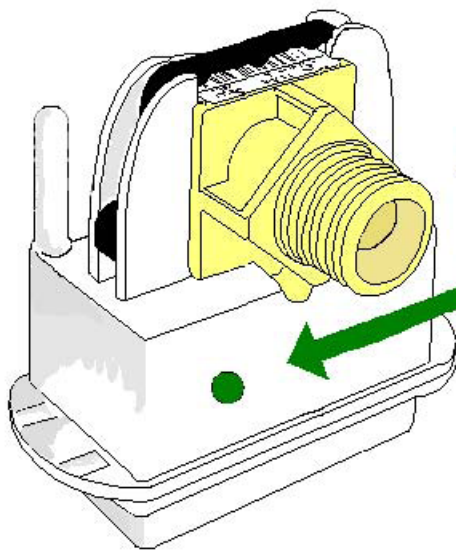
Green Lights Assure Connectivity

2-way Radio Acknowledges Data Receipt at the Meter



BE CERTAIN DATA IS RECEIVED BEFORE LEAVING APARTMENT

Ever have the experience of checking the DCC at the end of a hard day of installs, only to find that some radios were not reporting in?



**ASK ME WHAT
THIS GREEN
LIGHT MEANS**

ZigBee radios used by Wellspring are all two-way, so every message is acknowledged – which causes a green light to flash 6 times. That means, that when you install a Wellspring Aqura water meter, Energy Monitor or Router, you can trigger the unit to send a health packet, and see if the unit has joined the network, and if the message is acknowledged.

No programming. Every unit joins the network through more than one pathway – automatically, by themselves. And they let you know if all is OK while you are standing at the meter – no running back to the central computer.

And if the network experiences difficulties later on – no worries – if the meter gets no acknowledgment, it cures the fault. It boosts its output power – it chooses a different route – it will even change frequency channel. All by itself. Until the fault is cured. That's ZigBee.

The same routine works for Routers, Energy Monitors, and Water Meters – Green means “Good to go”, and Red – well, red means wait until the light turns green.

Now lets get down to brass tacks – there are two lights in every unit, and they talk a language that tells a story – as follows:

- 2 initial Green flashes mean that the unit is attached to a network
- 6 Green flashes mean that the Gateway acknowledgement is received.
- 2 initial Red flashes means the unit is not yet attached to any network
- 2 Green followed by 2 Red flashes means the unit is searching and attempting to join the network
- 4 Green flashes mean that the unit found and attached to a network
- 1 Green flash followed by 1 Red flash (10 times) means that after attempting to join a network, the unit was not successful.
- 6 Red flashes mean that the unit sent a packet to the gateway and it received no acknowledgement.

NOW THERMOSTATS CAN BE ROUTERS

Ever spend time and money looking for a good place to put a Repeater – where there was power – and no risk of tampering?

Now Wellspring offers a Router Thermostat – which saves energy, and tracks energy usage for the Resident (because every Thermostat includes an Energy Register). Yes, you can bill from this register – but consider this solution for the Router only.

Its so simple. Just replace the old Thermostat, and you are done.

To learn more, visit our web site at wellspringwireless.com, or call us at 215-788-8485, or e-mail our marketing leader, Wade Smith at wsmith@wellspringwireless.com. We'd love to hear from you, and estimate your savings, investment and payback – like we have been doing since 1996.

“Leaders in utility cost recovery technology”

